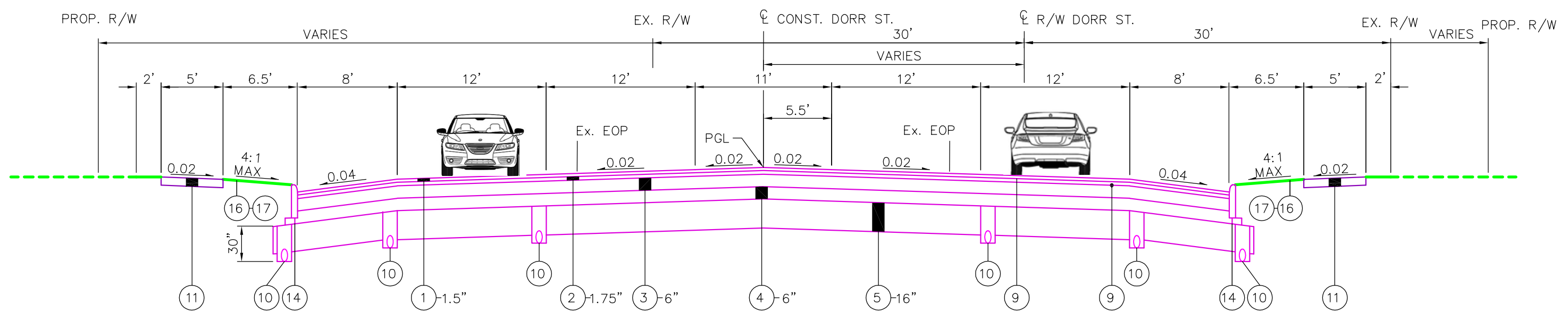
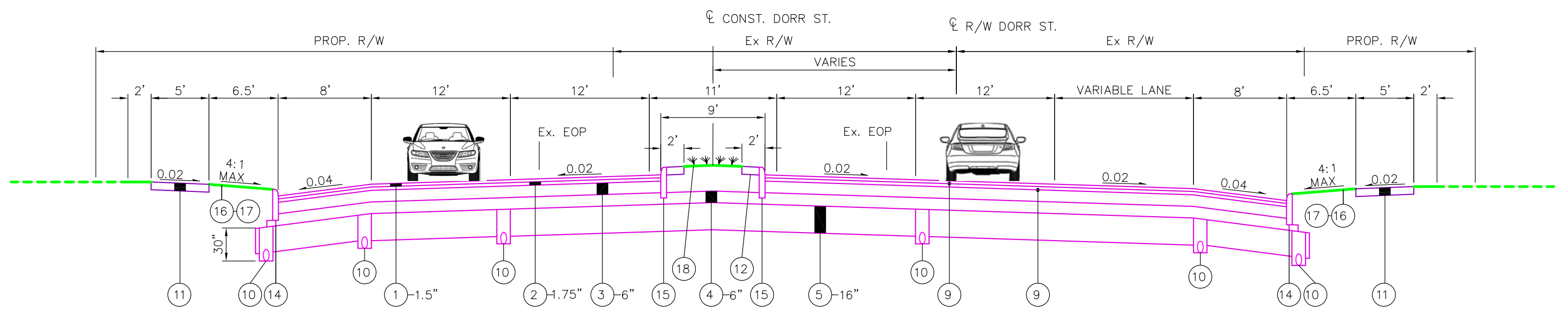


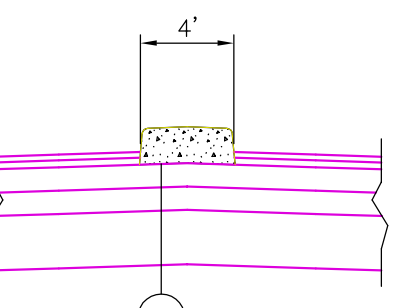
PROPOSED TYPICAL PAVEMENT SECTIONS



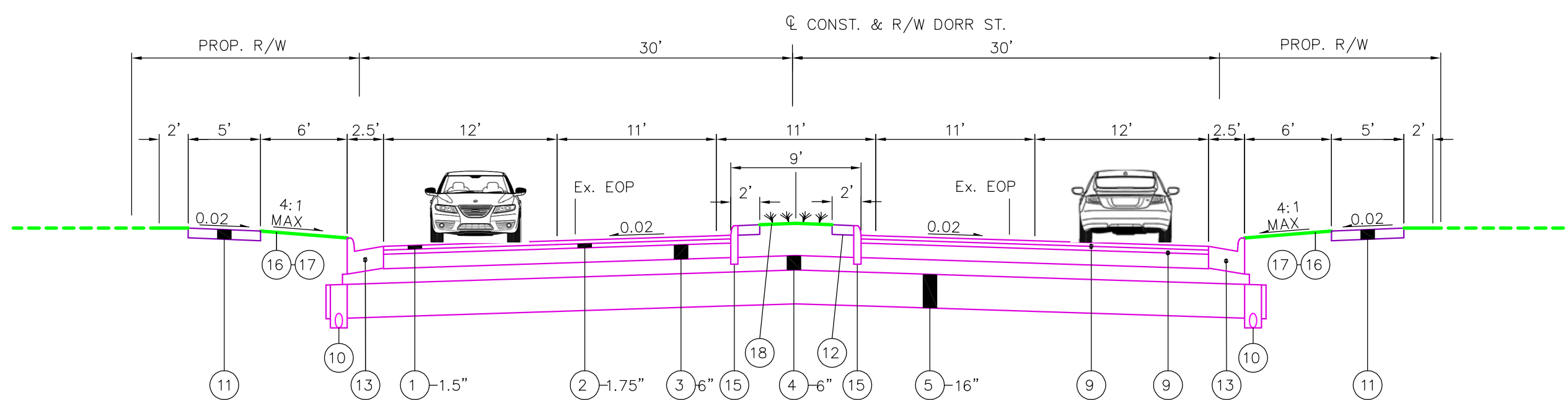
DORR STREET WEST OF INTERCHANGE – TWO WAY LEFT TURN LANE



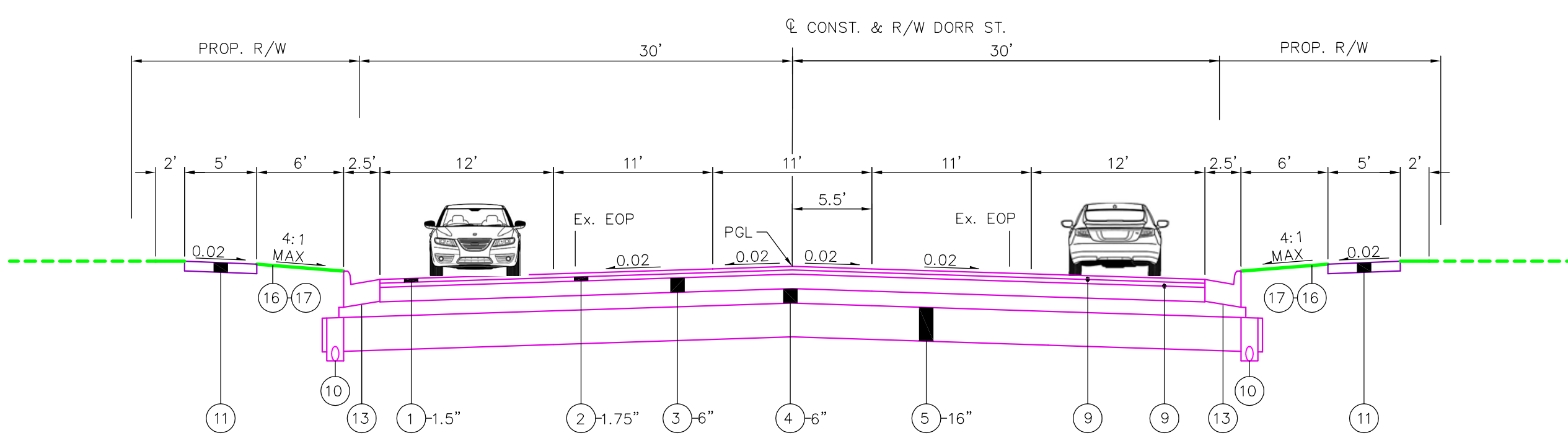
DORR ST. WEST OF INTERCHANGE – LANDSCAPED MEDIAN



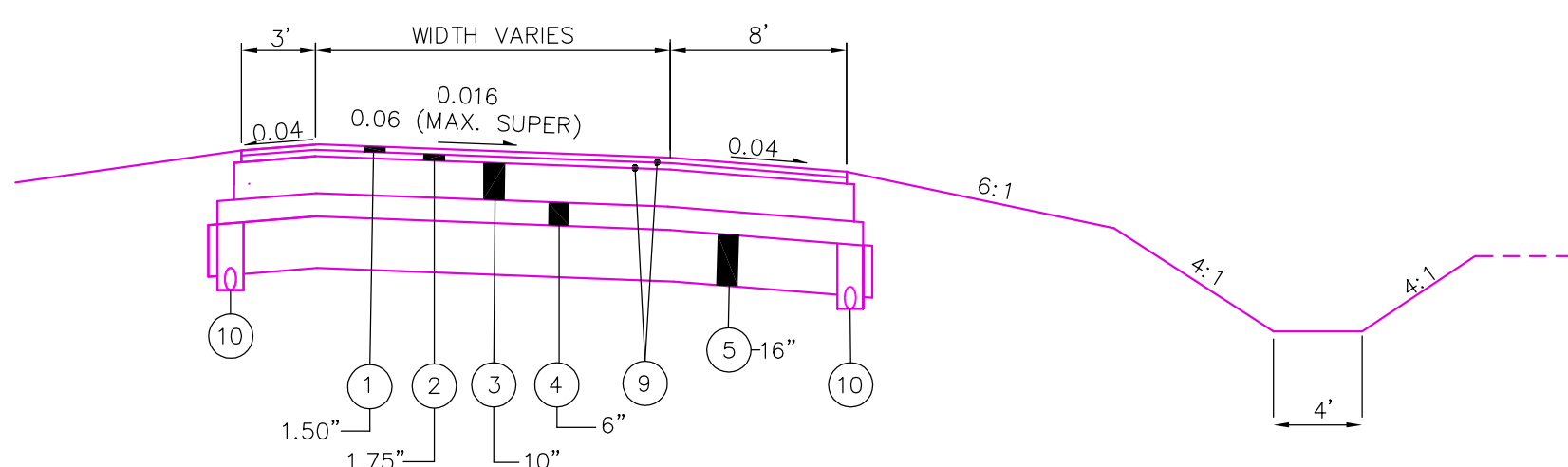
DETAIL A
CONCRETE MEDIAN



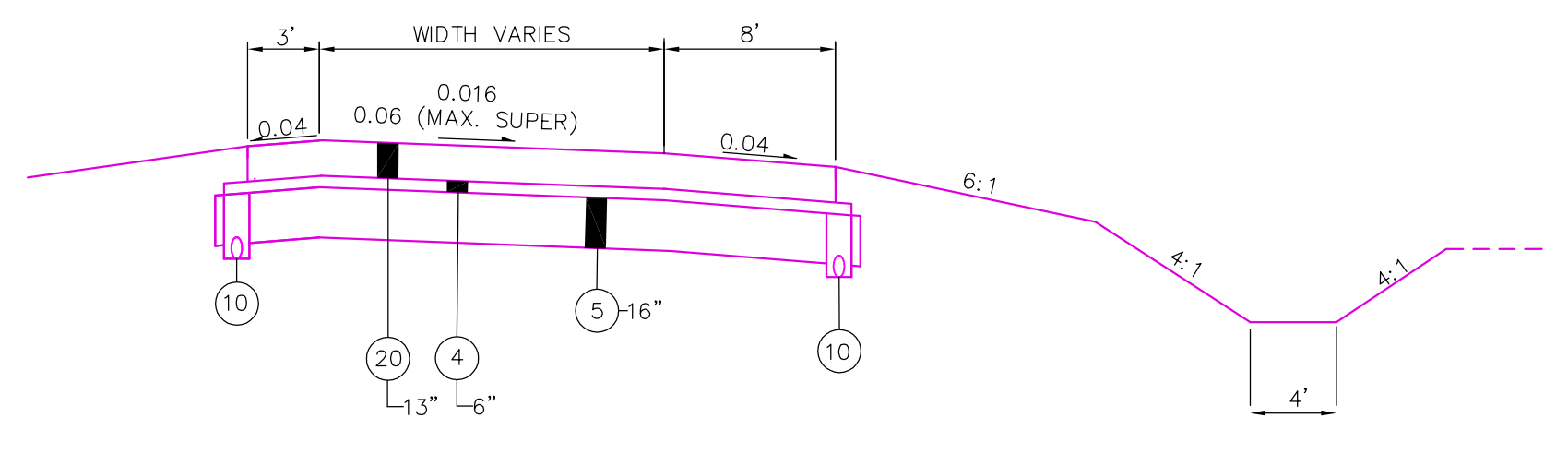
DORR ST. EAST OF INTERCHANGE – LANDSCAPED MEDIAN



DORR ST. EAST OF INTERCHANGE – TWO WAY LEFT TURN LANE



RAMPS (ASPHALT SECTION)



RAMPS (CONCRETE SECTION)

LEGEND

- | | | |
|--|---|---|
| ① ITEM 442 – ASPHALT CONCRETE SURFACE COURSE, 12.5 MM, TYPE A (446) | ⑧ ITEM 203 – EMBANKMENT | ⑮ ITEM 609 – CURB, TYPE 6 |
| ② ITEM 442 – ASPHALT CONCRETE INTERMEDIATE COURSE, 19 MM, TYPE A (446) | ⑨ ITEM 407 – TACK COAT | ⑯ ITEM 659 – TOPSOIL, 4" THICK |
| ③ ITEM 302 – ASPHALT CONCRETE BASE, PG64-22 | ⑩ ITEM 605 – 6" BASE PIPE UNDERDRAIN WITH FABRIC WRAP, 707.31 | ⑰ ITEM 659 – SEEDING AND MULCHING |
| ④ ITEM 304 – AGGREGATE BASE | ⑪ ITEM 608 – 4" CONCRETE WALK | ⑱ ITEM SPECIAL – LANDSCAPED MEDIAN |
| ⑤ ITEM 206 – CEMENT STABILIZED SUBGRADE | ⑫ ITEM 609 – 4" CONCRETE WALK, AS PER PLAN | ⑲ ITEM 609 – CONCRETE MEDIAN |
| ⑥ ITEM 202 – PAVEMENT REMOVED | ⑬ ITEM 609 – COMBINATION CURB AND GUTTER, TYPE 2 | ⑳ ITEM 452 – NON-REINFORCED CONCRETE PAVEMENT, CLASS QCI WITH QC/QA |
| ⑦ ITEM 203 – EXCAVATION | ⑭ ITEM 609 – CURB, TYPE 4-C | |